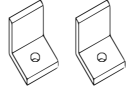



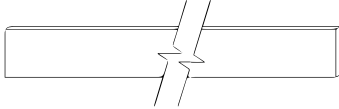
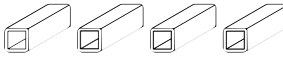
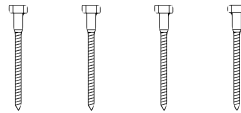
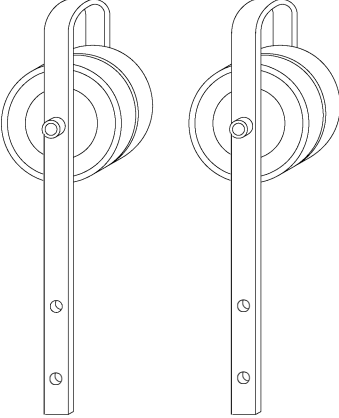
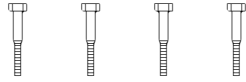


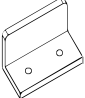


COMPONENTS

INCLUDED DOOR HARDWARE

| | | |
|---------------------------|---|---------------------------------|
| DOOR STOPS |  | X 2 |
| DOOR STOP MOUNTING BOLTS |  | X 2 |
| DOOR STOP WASHERS |  | X 2 |
| DOOR STOP NUTS |  | X 2 |
| TRACK |  | X 1 |
| SPACER STANDOFF |  | X 4 (OR MORE FOR LONGER TRACKS) |
| MOUNTING TRACK LAG SCREWS |  | X 4 (OR MORE FOR LONGER TRACKS) |

| | | |
|-------------------|---|-----|
| ROLLER WITH STRAP |  | X 2 |
|-------------------|---|-----|

| | | |
|----------------------|--|-----|
| ROLLER STRAP BOLTS |  | X 4 |
| ROLLER STRAP WASHERS |  | X 4 |
| ROLLER STRAP NUTS |  | X 4 |
| DOOR GUIDE |  | X 1 |

ITEMS NEEDED

- DOOR
- LEVEL
- ELECTRIC DRILL
- 3/8" SIZE DRILL BIT
- ROUTER OR HAND SAW
- 1/4" SIZE FASTENER (FLOOR GUIDE)

INSTALLATION INSTRUCTIONS

PREPARATION

1. Determine location of track based on door opening.
(see diagram)
2. Determine the location of studs. Or install wood backing to studs for track to attach to. Lag Screw should be attached to solid back or studs to carry the weight of the system.

TRACK INSTALLATION

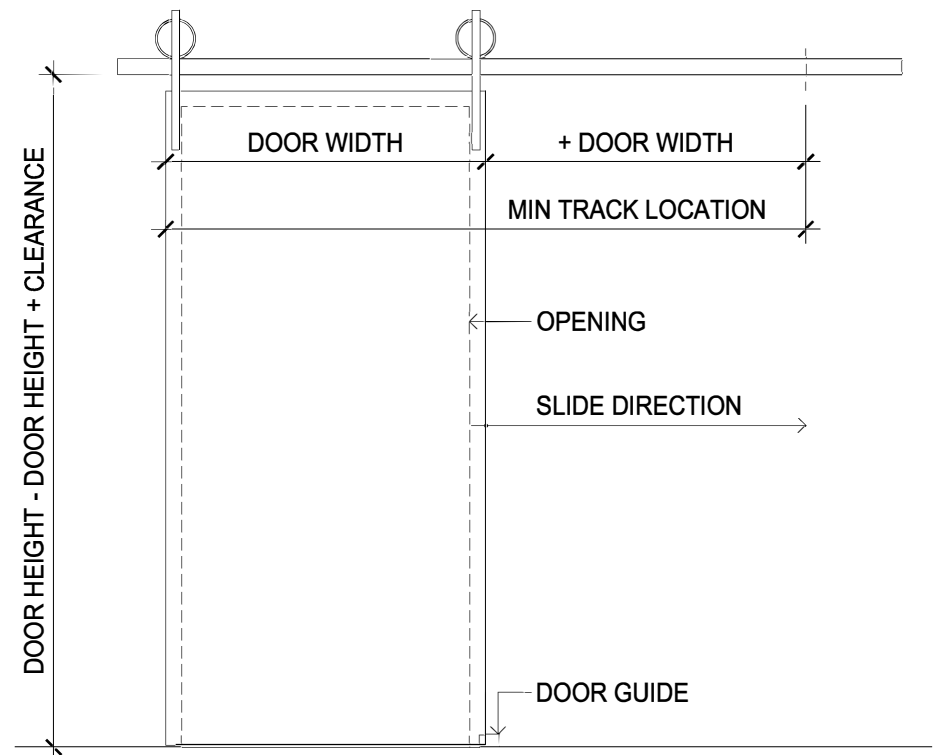
1. Determine the location of wall mounting lag screws and mark on track. Drill holes through track with 3/8" size drill bit.
2. Determine the location of door stops on track ends based on door opening. Drill holes through the track with 3/8" size drill bit.
3. Mount Door stops onto the track using the Door Mounting Bolts with Washer and nut as shown in assembly drawing.
4. Attach track, mounting lag screws through track and spacer standoffs, and attach into wall as shown in assembly drawing.

ROLLER/DOOR INSTALLATION

1. Determine the location of the roller straps on the door and mark on door. Drill hole through door with 3/8" size drill bit. Attach straps to door with roller strap bolts as shown in the assembly diagram.
2. Carefully put door in place by lifting and gently placing the rollers on the track

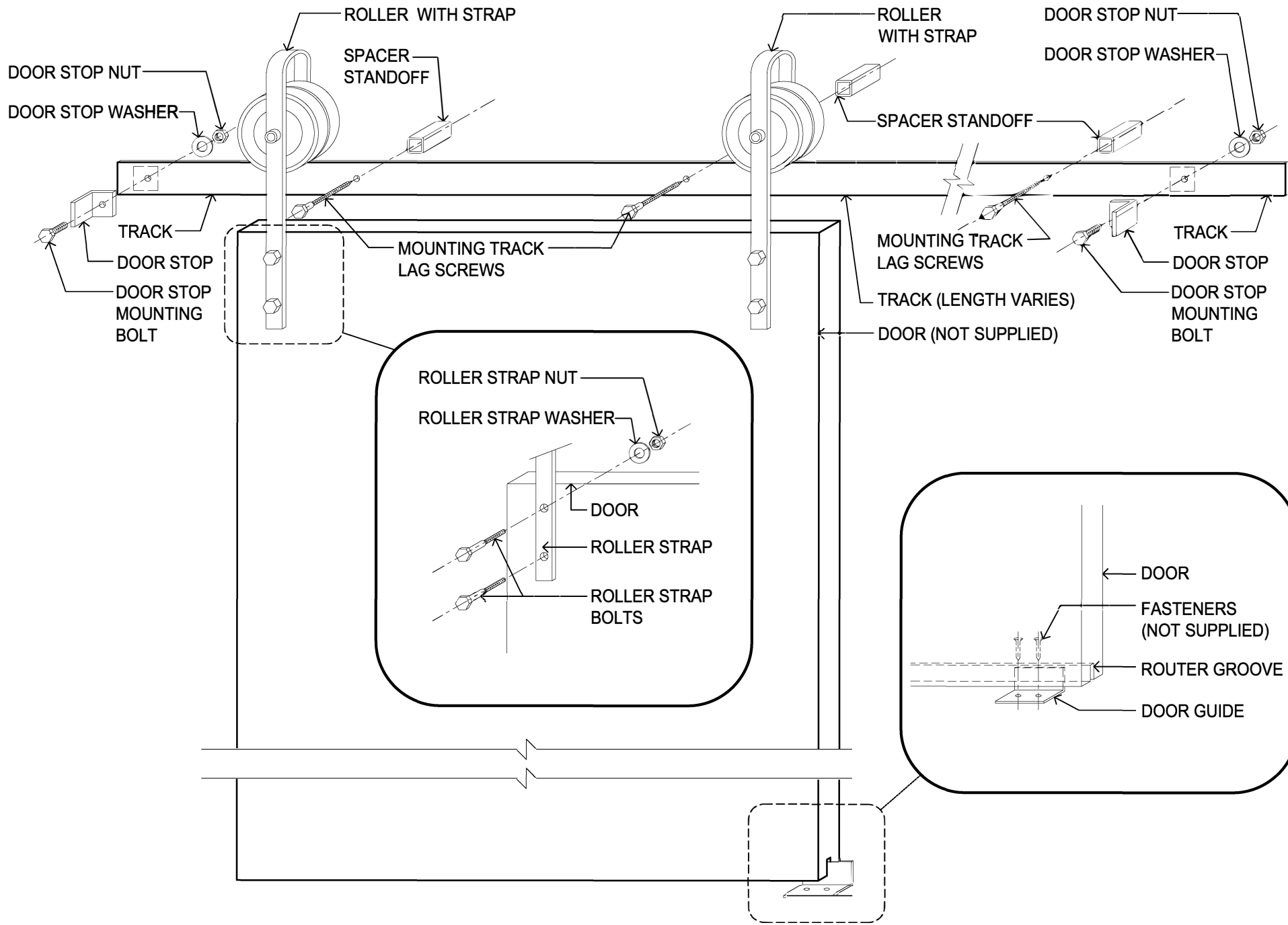
GUIDE INSTALLATION

1. With router or hand saw cut a groove 1/4" wide by 1 to 1 1/2" deep along the entire bottom of the door depending on how high above the floor the door will hang. The door guide is 1 1/2" tall.
2. Locate the mounting position of the door guide just beside the opening on side of the door slide direction.
3. Choose the appropriate 1/4" fasteners for your floor type and attach the door guide to the floor.



WS

WHITE SHANTY



WS

WHITE SHANTY