

ASSEMBLY MANUAL

WHITE SHANTY



STILE AND RAIL



WS-DK-2

R1

Illustrations are general and may not match your specific door design.

CALIFORNIA PROPOSITION 65 RAW WOOD PRODUCT EXPOSURE



WARNING: Drilling, sawing, sanding or machining wood products can expose you to wood dust, a substance known to the State of California to cause cancer. Avoid inhaling wood dust or use a dust mask or other safeguards for personal protection. For more information go to www.P65Warnings.ca.gov/wood

CALIFORNIA PROPOSITION 65



WARNING: This product can expose you to chemicals including formaldehyde, ethylbenzene, titanium dioxide, cumene, carbon black, silica and wood dust, which are known to the State of California to cause cancer, and toluene, which is known to the State of California to cause birth defects or other reproductive harm. For more information go to www.P65Warnings.ca.gov

IMPORTANT MESSAGE

On behalf of everyone at White Shanty, we would like to thank you for your purchase of one of our products. This product is designed and manufactured in the USA. This door comes with an Installation Manual. It is important that you read and fully understand this manual prior to installation. Following the steps exactly as specified in the manual will ease installation and reduce the amount of time necessary to complete the process. Keep this manual even after the installation process has been completed. Understand how to use tools that may be required during the installation process. Observe all safety warnings called out in this manual. Make sure those who may install this product for you understand this manual as well as you do.


White Shanty
106 GP Clement Drive
Collegeville, PA 19426

Table of Contents

Preparing for Installation	4	Second Style Assembly	9
Parts & Hardware	5	Additional Component Assembly	10
Style and Rail Assembly	6		
Plank Installation	7-8		

NOTICE !!!

Unauthorized modifications may present extreme safety hazards and could also result in injury or product damage. White Shanty strongly warns against, rejects and disclaims any modifications, add-on accessories or product alterations that are not designed, developed, tested and approved by White Shanty's Engineering Department. Any White Shanty product that is altered, modified or changed in any manner not specifically authorized after original manufacture – including the addition of “aftermarket” accessories or component parts not specifically approved by White Shanty – will result in the White Shanty warranty being voided. Any and all liability for personal injury and/or property damage caused by any unauthorized modifications, add-on accessories or products not approved by White Shanty Stairs will be considered the responsibility of the individual(s) or company designing and/or making such changes. White Shanty will vigorously pursue full indemnification and costs from any party responsible for such unauthorized post-manufacture modifications and/or accessories should personal injury and/or property damage result.

 <p style="margin: 0;">This symbol means: ATTENTION! BECOME ALERT!</p> <p style="margin: 0;">Your safety and the safety of others is involved. Signal word definitions: The signal words below are used to identify levels of hazard seriousness. For your safety and the safety of others, read and follow the information given with these signal words and/or the symbol shown above.</p>	<div style="border: 1px solid black; padding: 2px; margin-bottom: 5px; background-color: #ffcc00; text-align: center;">⚠ WARNING</div> <p style="margin: 0;">WARNING indicates a potentially hazardous situation which, if not avoided, COULD result in death or serious injury.</p> <hr/> <div style="border: 1px solid black; padding: 2px; margin-bottom: 5px; background-color: #ffff00; text-align: center;">⚠ CAUTION</div> <p style="margin: 0;">CAUTION indicates a potentially hazardous situation which, if not avoided, MAY result in minor or moderate injury. It may also be used to alert against unsafe practices or property damage.</p> <hr/> <div style="border: 1px solid black; padding: 2px; margin-bottom: 5px; background-color: #ffff00; text-align: center;">CAUTION</div> <p style="margin: 0;">CAUTION used without the safety alert symbol indicates a potentially hazardous situation which, if not avoided, MAY result in property damage</p>
<div style="border: 1px solid black; padding: 2px; margin-bottom: 5px; background-color: #ff0000; color: white; text-align: center;">⚠ DANGER</div> <p style="margin: 0;">DANGER indicates an imminently hazardous situation which, if not avoided, WILL result in death or serious injury.</p>	



Preparing For Installation

Read the Installation Manual

- If anyone involved in the installation process cannot read English, it is the owner's responsibility to explain the contents of this manual to them.
- If any portion of this manual is unclear, contact the White Shanty Customer Service Department for clarification.
- It is the owner's responsibility to be familiar with the use of any tools that may be necessary to complete the installation of this product. Read the manual for these specific tools.
- Do not install or allow anyone to install this product if there are any questions about the installation process.
- Never attempt to install this product if any of the components are damaged or have any unauthorized modifications.
- All persons should be trained. The owner is responsible for training the users.
- Wear the appropriate personal protective equipment during installation.
- Wear hearing protection.
- Wear safety glasses.
- Wear a dust mask to avoid breathing dust.
- Never allow children, unskilled or improperly trained people to participate in the installation process.
- Keep the Installation Manual legible and intact.
- Do not attempt to install this product while under the influence of drugs or alcohol.
- The owner/user can prevent and is responsible for accidents or injuries occurring to themselves, other people or property.

Site Preparation

- Check the area where the product is to be installed.
- Be sure the area is clear of pets and people, especially young children. Stop the installation process if any enter the area.
- Installation should be done in daylight or in good artificial light.
- Only use components approved by the manufacturer.

Installation Preparation

- Do not tamper with any component.
- Use extra care when unloading or moving any component. Some components may be heavy and require multiple people to move them safely.
- Keep all fasteners such as nuts and bolts well secured.
- Verify that all components are in good condition and are not damaged in any way.
- Do not start the assembly process until you read the Installation Manual.
- Do not use the door(s) until the assembly process is complete.

Suspending the Installation Procession

- If it is necessary to suspend the installation process, it is the owner's responsibility to mark off the area to limit access until the installation is complete.
- Do not allow anyone to use the door(s) until the assembly process is complete.

① Stile	② Starter Plank (Tongue Only)	③ Center Plank (Tongue and Groove)	④ End Plank (Groove Only)	⑤ Rail

Item		Description	Item		Description
Ⓐ		Wood Screws #6 x 1-1/4	Ⓑ		Hex Head Lag Screw 1/4" x 6"

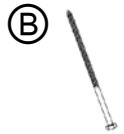
Tools Needed	Description	Tools Needed	Description
	Cordless Drill/Driver with #2 Philips Bit		Ratchet with 7/16" deep socket
	Hammer		

NOTICE	If your door is unfinished. It is strongly suggested that you seal each individual wood component prior to assembly. Failure to seal wood components may result in warping of the door after assembly.
---------------	--

Stile and Rail Assembly

1. Lay Stile (1) flat on working surface.
2. Place Rail (5) into position at top of Stile (1). Make sure that the channel in the rail is facing the center of the door.
3. Using screw (B) secure the rail to the stile using a 7/16" deep socket.

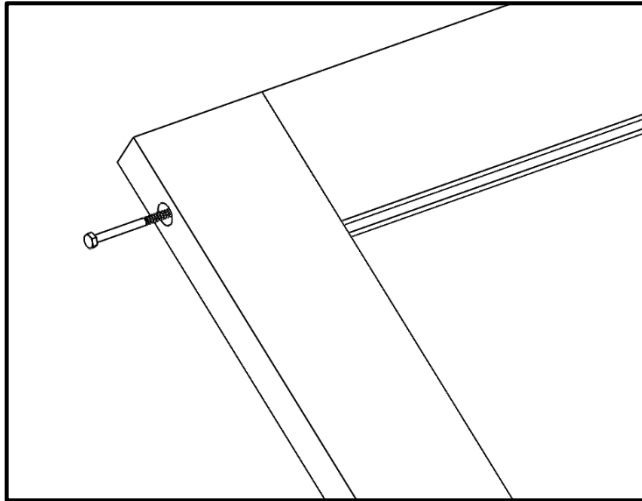
Hardware



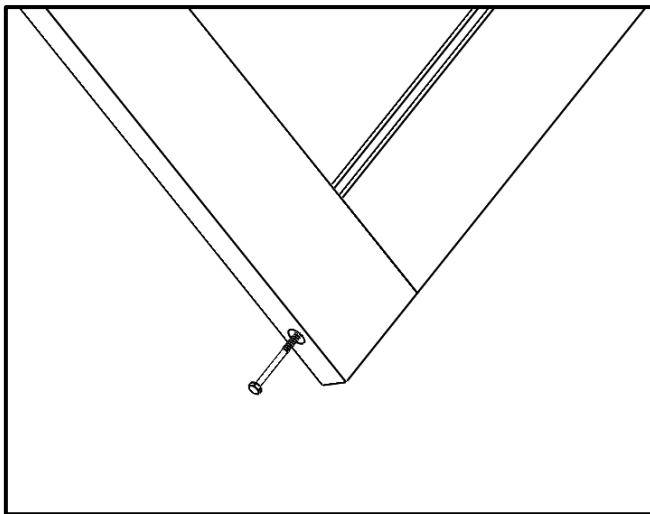
Parts



Tools

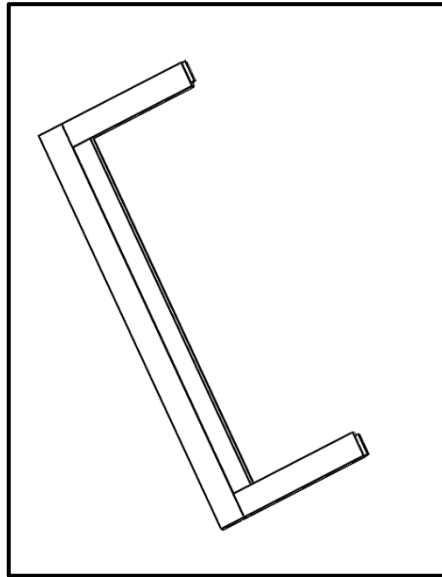


4. Place the second Rail (5) into position at bottom of the assembly from step # 3. Make sure that the channel in the rail is facing the center of the door.
5. Using screw (B) secure the second rail to the assembly using a 7/16" deep socket.



Plank Installation

- Slide the Starter Plank (2) into channel formed by the assembly. Make sure the flat edge of the Starter Plank is inserted into the channel first. The tongue on the starter plank should be facing the center of the door. Slide the Starter Plank all the way into the channel until it is fully seated.

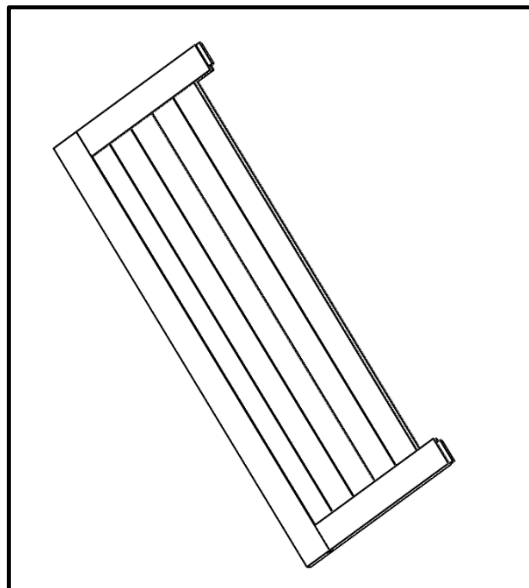


Parts

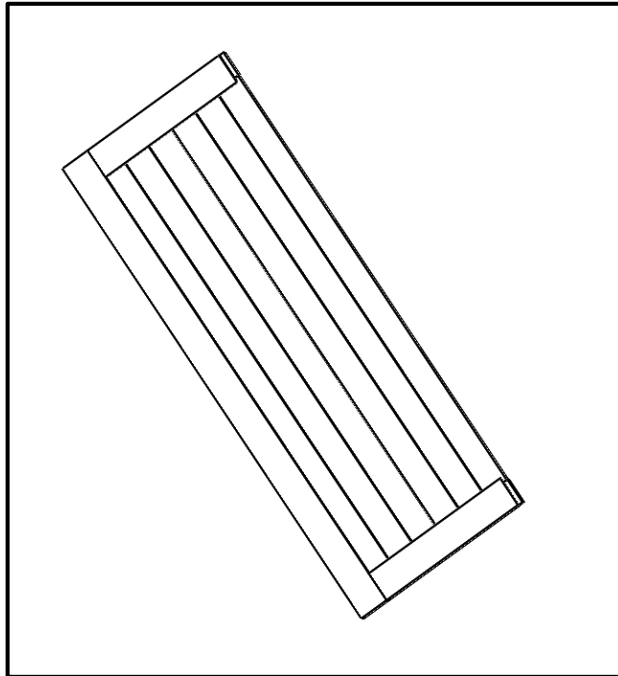
② ③

④

- Insert a Center Plank (3) into channel formed by the assembly. Make sure the groove side of the Center Plank is inserted into the channel first. Slide the Center Plank all the way into the channel until the groove engages the tongue of the Starter Plank.
- Repeat Step 8 until all Center Planks have been installed.

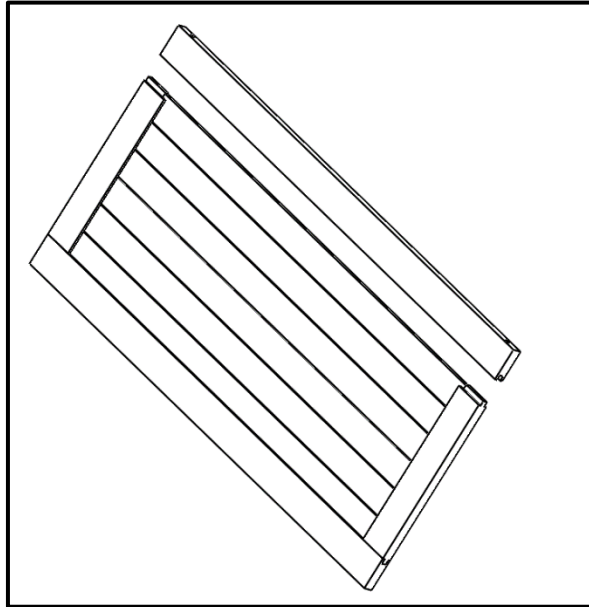


9. Insert the End Plank (4) into the channel formed by the assembly. Make sure the groove side of the End Plank is inserted into the channel first. Slide the End Plank all the way into the channel until the groove engages the tongue of the last Center Plank.

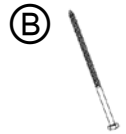


Second Stile Installation

10. Place the second Stile (1) onto the assembly making sure to engage the channel of the Stile with the End Plank and the tab on the Rails.



Hardware



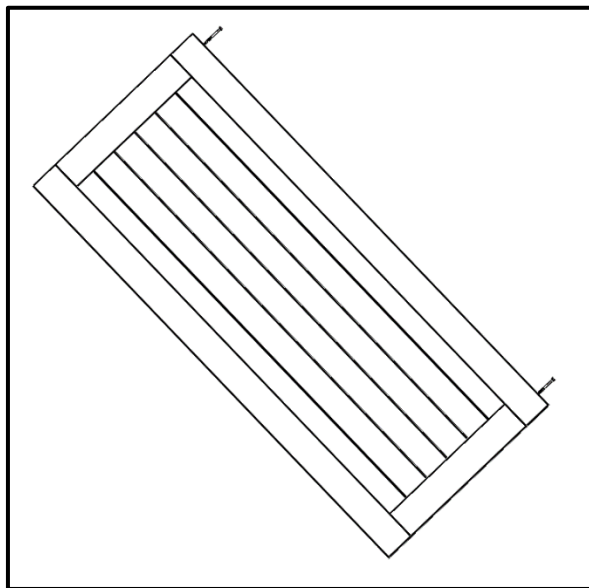
Parts



Tools



11. Using screws (B) secure the second Stile to the Rails using a 7/16" deep socket.



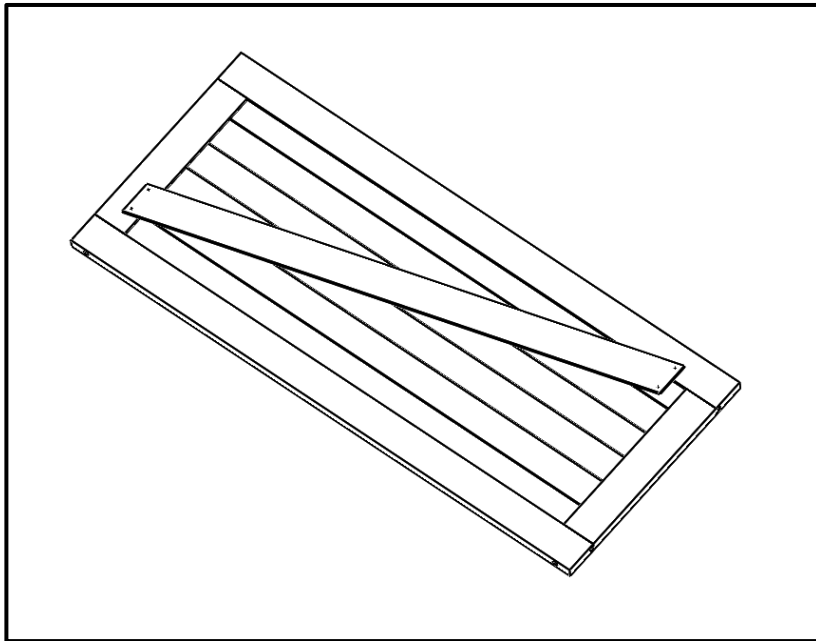
⚠ WARNING

Tighten all the hardware. Failure to tighten the hardware could result in the door becoming unstable and could result in serious injury.

12. The main door assembly is complete. If your door has additional components that are assembled onto the face of the door proceed to Step 13.

Additional Component Installation

13. Place additional components onto the face of door and secure using screws (A). Do not overtighten the screws.



Note: Door shown may not match door ordered.

Hardware

Ⓐ



Parts

①

Tools



14. Using a hammer, install the wood plugs into the ends of door to cover the assembly holes.

